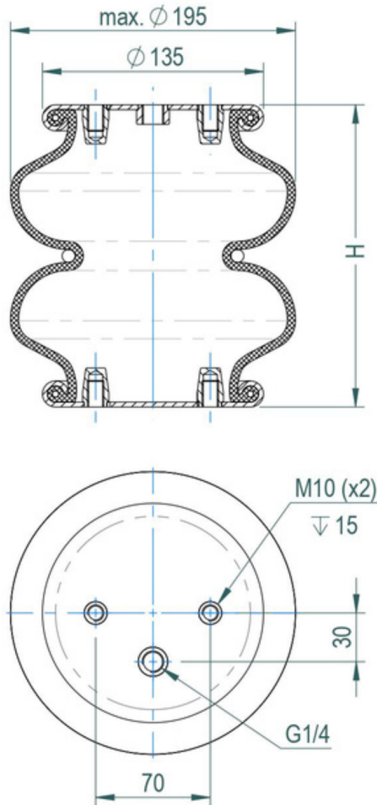


F SERIES
Crimped Design

TV-2600

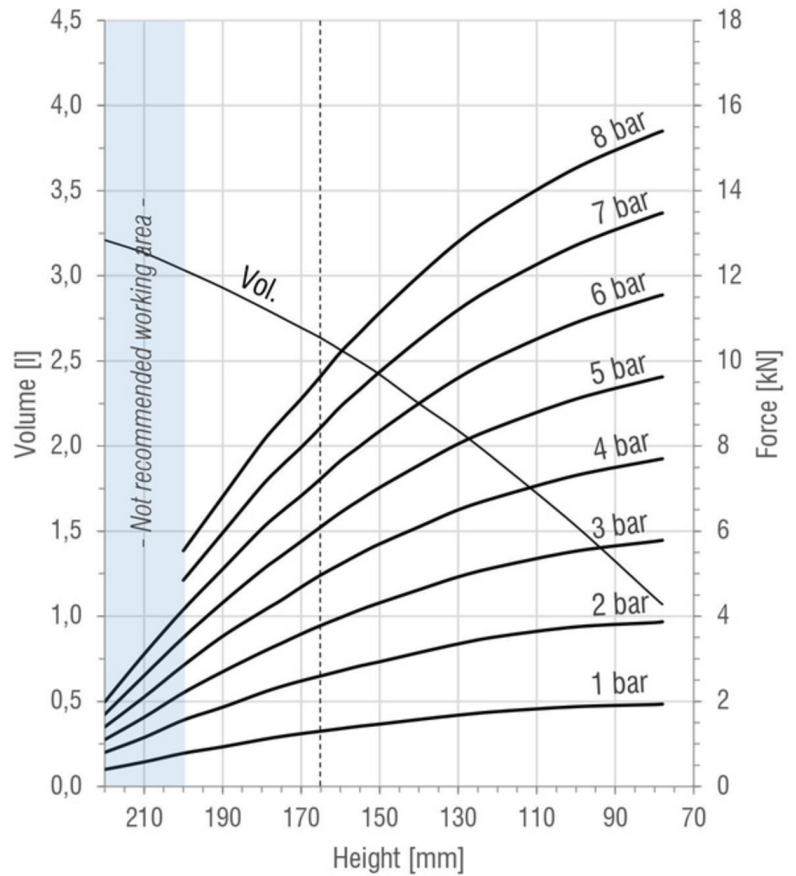
DOUBLE
CONVOLUTION

DRAWING



M8&M10=25 Nm G1/4=25 Nm

FORCE-HEIGHT CHART



TECHNICAL DATA

PRODUCT CHARACTERISTICS

Static diameter [mm]	171
Max. diameter [mm]	195
Required space diameter [mm]	210
Min. height [mm]	78
Static height [mm]	180
Design height [mm]	165
Max. usable height [mm]	200
Max. stroke [mm]	122
Force to compress to H_{min} at 0 bar [N]	80
Weight [kg]	2,2

REFERENCES

M-2600_B	Rubber bellow only
M-2600_C_G1/4	With crimped plates & G1/4 air inlet

Designs available with stainless steel and high temperature rubber compounds. Additional designs on request.

DYNAMIC CHARACTERISTICS FOR USE AS ISOLATOR

Pressure [bar]	3	4	5	6	7	Vol. [l]
Load [kN]	3,8	5,0	6,1	7,2	8,4	2,6
Spring rate [N/mm]	74	98	117	136	157	
Natural frequency [Hz]	2,22	2,22	2,19	2,17	2,16	
Isolation rate at 10 Hz	94,8%	94,8%	95,0%	95,1%	95,1%	

Values at recommended design height H: 165 mm - - - -

STATIC CHARACTERISTICS FOR USE AS ACTUATOR

Pressure [bar]	3	4	5	6	7	Vol. [l]	
Height H [mm]	80	5,8	7,7	9,6	11,5	13,4	1,1
	100	5,5	7,3	9,1	10,9	12,7	1,5
	120	5,2	6,8	8,4	10,1	11,8	1,9
	140	4,6	6,1	7,6	9,0	10,5	2,3
	160	4,0	5,2	6,4	7,7	8,9	2,6
	180	3,2	4,1	5,1	6,1	7,1	2,8
200	2,2	2,8	3,5	4,2	4,8	3,0	

Force values [kN]

All Volume [l] values at 7 bar