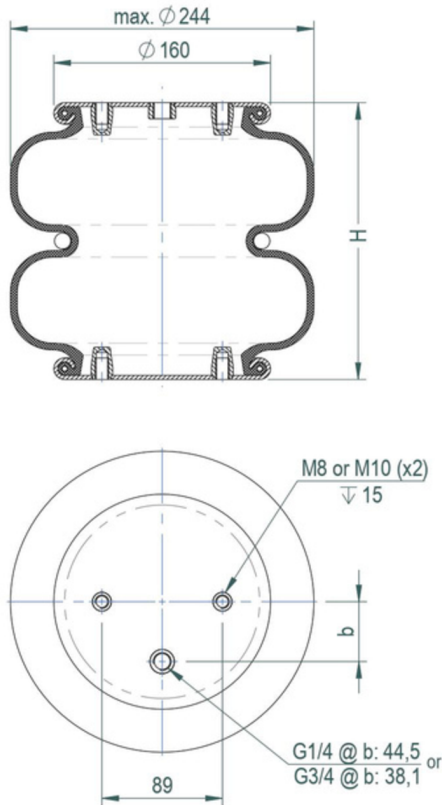


F SERIES
Crimped Design

TV-85-E

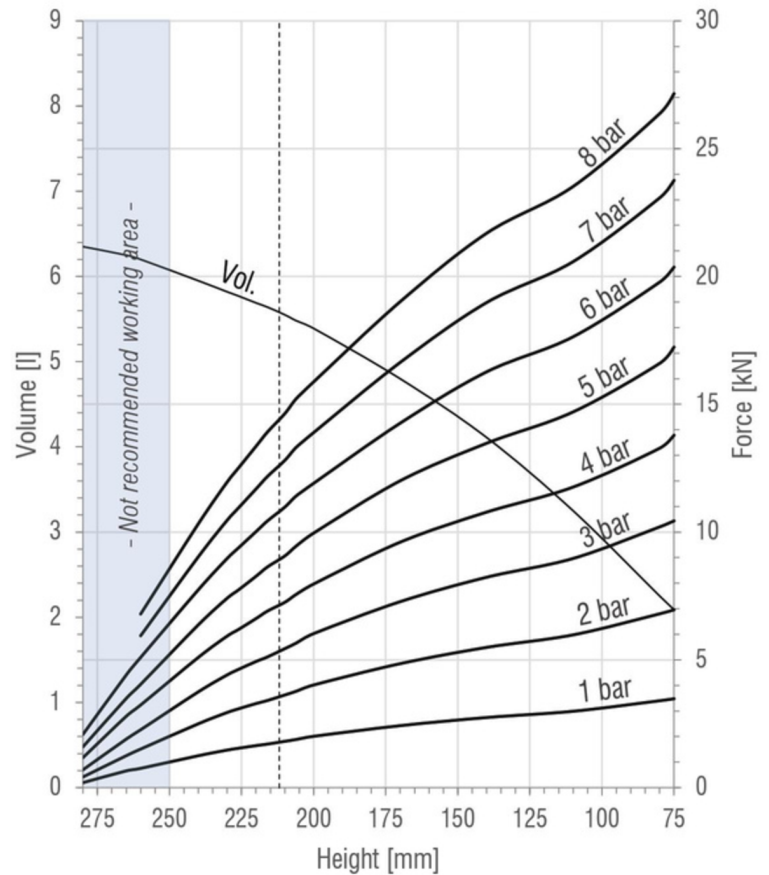
DOUBLE
CONVOLUTION

DRAWING



M8&M10=25 Nm **G1/4**=25 Nm **G3/4**=50 Nm

FORCE-HEIGHT CHART



TECHNICAL DATA

PRODUCT CHARACTERISTICS

Static diameter [mm]	222
Max. diameter [mm]	244
Required space diameter [mm]	260
Min. height [mm]	75
Static height [mm]	203
Design height [mm]	216
Max. usable height [mm]	250
Max. stroke [mm]	175
Force to compress to H_{min} at 0 bar [N]	69
Weight [kg]	3,1

REFERENCES

M-85-E_B	Rubber bellow only
M-85-E_C_G1/4	With crimped plates & G1/4 air inlet
M-85-E_C_G3/4	With crimped plates & G3/4 air inlet
M-85-E_R_SH	With socket head bead rings
M-85-E_R_TR	With threaded bead rings
M-85-E_R_CS	With countersunk bead rings

Designs available with stainless steel and high temperature rubber compounds. Additional designs on request.

DYNAMIC CHARACTERISTICS FOR USE AS ISOLATOR

Pressure [bar]	3	4	5	6	7	Vol. [l]
Load [kN]	5,1	6,9	8,6	10,4	12,2	5,6
Spring rate [N/mm]	76	100	123	145	169	
Natural frequency [Hz]	1,93	1,90	1,89	1,87	1,86	
Isolation rate at 10 Hz	96,1%	96,3%	96,3%	96,4%	96,4%	

Values at recommended design height H: 216 mm - - - - -

STATIC CHARACTERISTICS FOR USE AS ACTUATOR

Height H [mm]	Pressure [bar]	3	4	5	6	7	Vol. [l]
	80	10,2	13,3	16,6	19,8	23,1	2,3
110	9,0	11,8	14,7	17,6	20,6	3,3	
140	8,2	10,8	13,5	16,3	19,0	4,1	
170	7,3	9,6	12,0	14,3	16,6	4,8	
200	6,0	8,0	10,0	11,9	13,9	5,4	
210	5,4	7,3	9,1	11,0	12,8	5,6	
220	4,9	6,6	8,3	10,0	11,7	5,7	
240	3,7	5,1	6,4	7,7	9,0	6,0	

Force values [kN]

All Volume [l] values at 7 bar