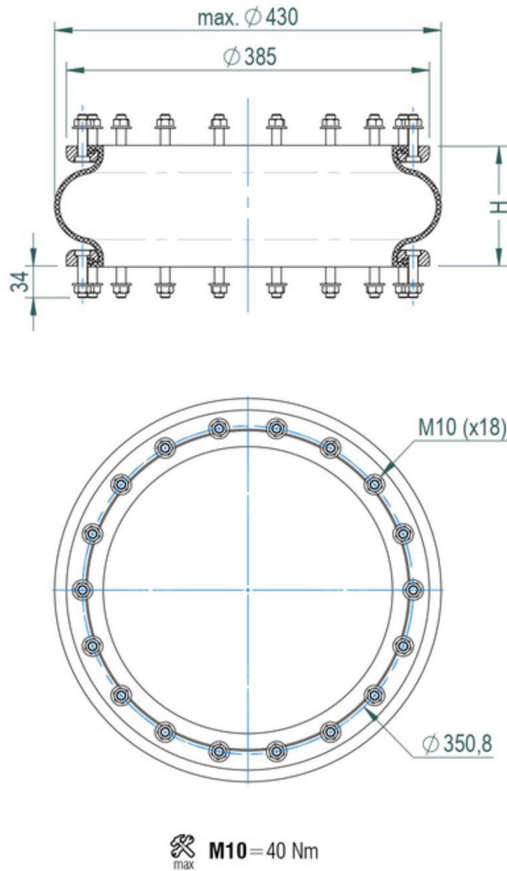


F SERIES
Socked Head Bead Ring Design

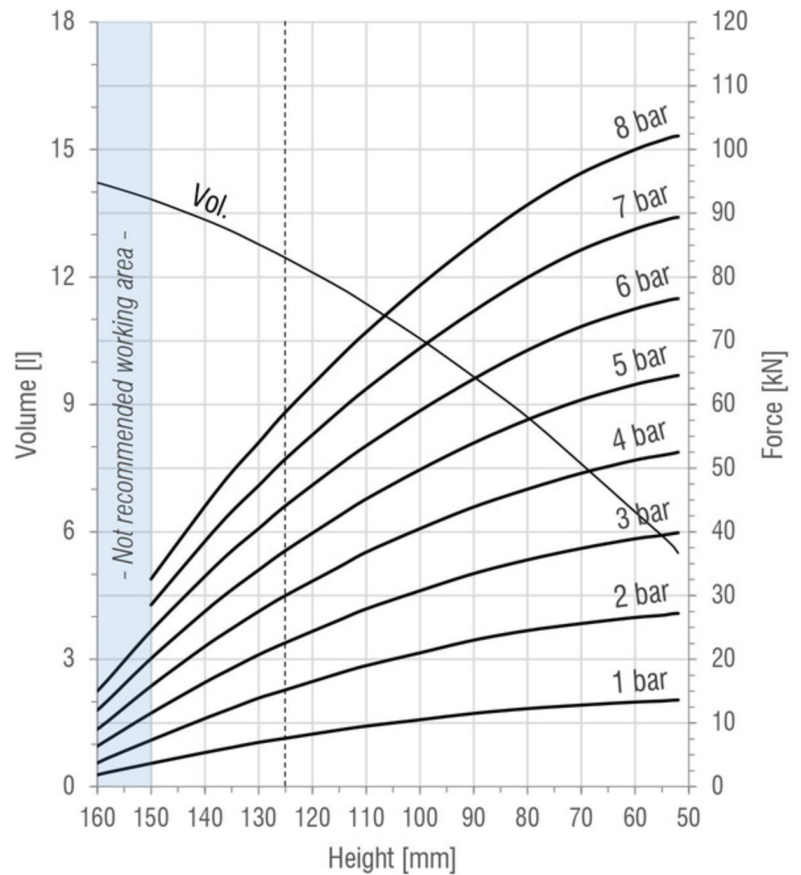
TV-48

SINGLE
CONVOLUTION

DRAWING



FORCE-HEIGHT CHART



TECHNICAL DATA

PRODUCT CHARACTERISTICS

Static diameter [mm]	385
Max. diameter [mm]	430
Required space diameter [mm]	470
Min. height [mm]	52
Static height [mm]	125
Design height [mm]	125
Max. usable height [mm]	150
Max. stroke [mm]	98
Force to compress to H_{min} at 0 bar [N]	220
Weight [kg]	10,6

REFERENCES

M-48_B	Rubber bellow only
M-48_R_SH	With socket head bead rings
M-48_R_TR	With threaded bead rings
M-48_R_CS	With countersunk bead rings

Designs available with stainless steel and high temperature rubber compounds. Additional designs on request.

DYNAMIC CHARACTERISTICS FOR USE AS ISOLATOR

Pressure [bar]	3	4	5	6	7	Vol. [l]
Load [kN]	22,6	30,0	37,1	44,1	51,5	12,5
Spring rate [N/mm]	605	764	911	1059	1226	
Natural frequency [Hz]	2,59	2,52	2,48	2,45	2,44	
Isolation rate at 10 Hz	92,8%	93,2%	93,4%	93,6%	93,7%	

Values at recommended design height H: 125 mm - - - -

STATIC CHARACTERISTICS FOR USE AS ACTUATOR

Pressure [bar]	3	4	5	6	7	Vol. [l]	
Height H [mm]	60	38,9	51,3	63,1	75,0	87,5	6,5
	70	37,4	49,2	60,7	72,2	84,3	7,6
	80	35,6	46,7	57,6	68,5	79,9	8,7
	90	33,5	43,9	54,0	64,0	74,7	9,7
	100	30,8	40,5	49,8	59,0	68,8	10,6
	110	27,9	36,8	45,2	53,5	62,4	11,4
	120	24,4	32,4	40,0	47,6	55,6	12,1
	130	20,7	27,5	34,0	40,5	47,3	12,8
	140	16,4	22,0	27,5	33,0	38,5	13,4
	150	11,5	15,8	20,1	24,5	28,5	13,8

Force values [kN]

All Volume [l] values at 7 bar