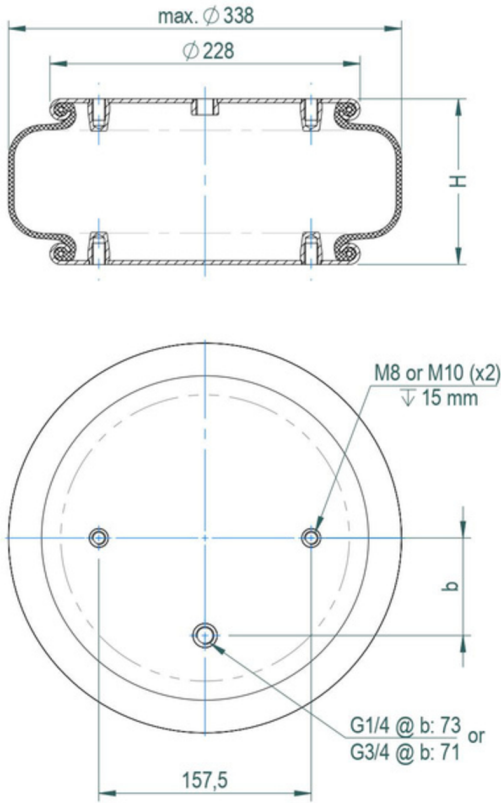


F SERIES
Crimped Design

TV-40-E

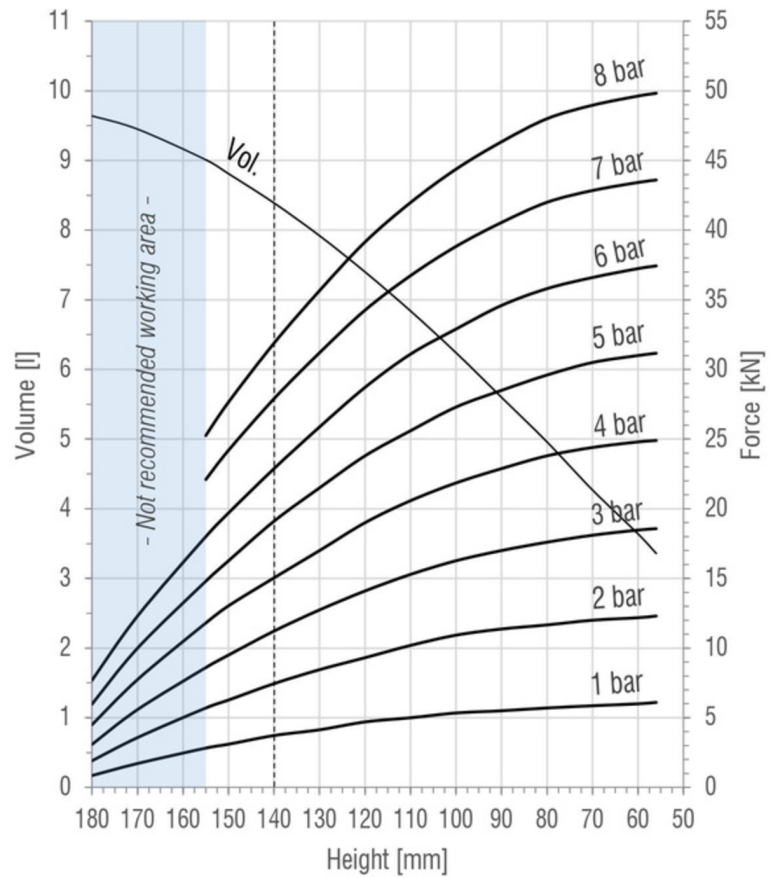
SINGLE
CONVOLUTION

DRAWING



M8&M10=25 Nm **G1/4**=25 Nm **G3/4**=50 Nm

FORCE-HEIGHT CHART



TECHNICAL DATA

PRODUCT CHARACTERISTICS

Static diameter [mm]	300
Max. diameter [mm]	338
Required space diameter [mm]	355
Min. height [mm]	56
Static height [mm]	135
Design height [mm]	140
Max. usable height [mm]	155
Max. stroke [mm]	99
Force to compress to H_{min} at 0 bar [N]	75
Weight [kg]	4,2

REFERENCES

M-40-E_B	Rubber bellow only
M-40-E_C_G1/4	With crimped plates & G1/4 air inlet
M-40-E_C_G3/4	With crimped plates & G3/4 air inlet
M-40-E_R_SH	With socket head bead rings
M-40-E_R_TR	With threaded bead rings
M-40-E_R_CS	With countersunk bead rings

Designs available with stainless steel and high temperature rubber compounds. Additional designs on request.

DYNAMIC CHARACTERISTICS FOR USE AS ISOLATOR

Pressure [bar]	3	4	5	6	7	Vol. [l]
Load [kN]	11,2	15,1	19,1	22,9	27,9	8,4
Spring rate [N/mm]	277	345	435	515	594	
Natural frequency [Hz]	2,48	2,39	2,39	2,37	2,31	
Isolation rate at 10 Hz	93,4%	93,9%	94,0%	94,0%	94,4%	

Values at recommended design height H: 140 mm -----

STATIC CHARACTERISTICS FOR USE AS ACTUATOR

Pressure [bar]		3	4	5	6	7	Vol. [l]
Height H [mm]	70	18,1	24,4	30,5	36,6	42,8	4,3
	80	17,6	23,8	29,6	35,8	42,0	5,0
	90	17,0	22,9	28,5	34,6	40,5	5,6
	100	16,3	21,9	27,3	32,9	38,8	6,2
	110	15,3	20,6	25,6	31,1	36,7	6,8
	120	14,1	19,0	23,8	28,7	34,3	7,4
	130	12,7	17,0	21,5	25,9	31,2	7,9
140	11,2	15,0	19,1	22,9	27,9	8,4	

Force values [kN]

All Volume [l] values at 7 bar