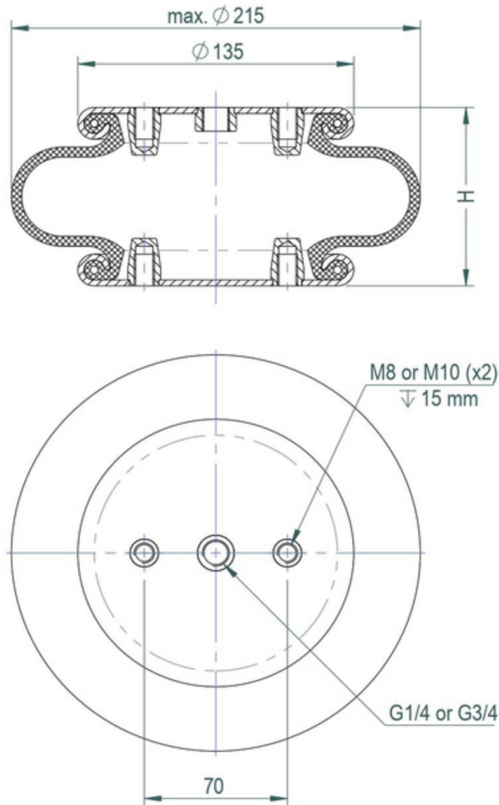


F SERIES
Crimped Design

TV-30

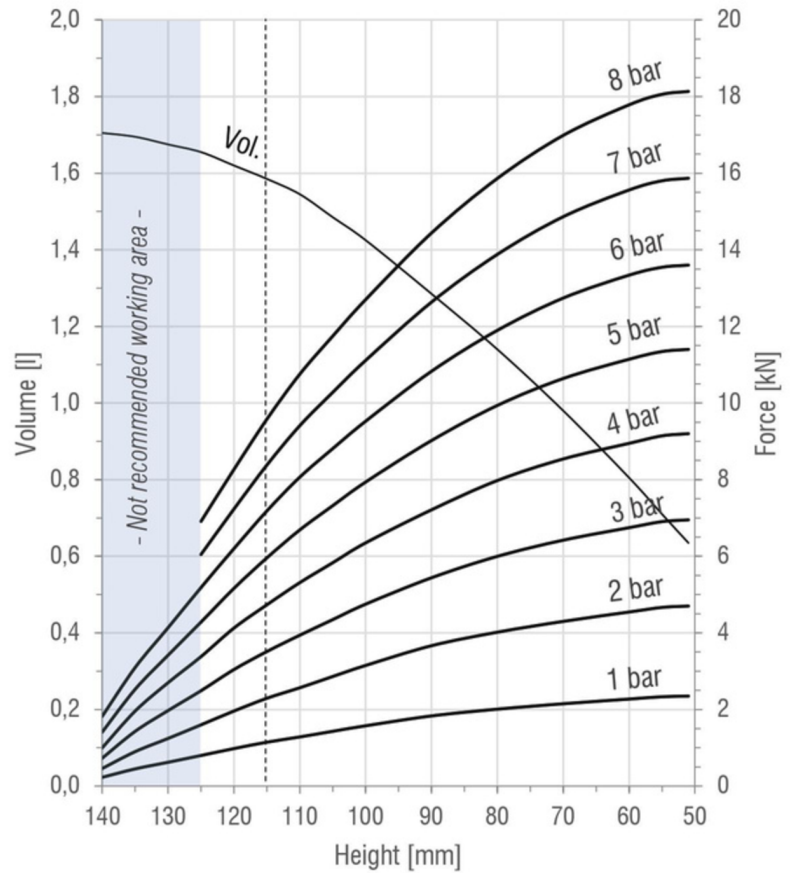
SINGLE
CONVOLUTION

DRAWING



M8&M10=25 Nm **G1/4**=25 Nm **G3/4**=50 Nm

FORCE-HEIGHT CHART



TECHNICAL DATA

PRODUCT CHARACTERISTICS

Static diameter [mm]	202
Max. diameter [mm]	215
Required space diameter [mm]	230
Min. height [mm]	51
Static height [mm]	85
Design height [mm]	115
Max. usable height [mm]	125
Max. stroke [mm]	74
Force to compress to H_{min} at 0 bar [N]	60
Weight [kg]	1,8

DYNAMIC CHARACTERISTICS FOR USE AS ISOLATOR

Pressure [bar]	3	4	5	6	7	Vol. [l]
Load [kN]	3,5	4,7	6,0	7,2	8,4	1,6
Spring rate [N/mm]	130	169	208	247	287	
Natural frequency [Hz]	3,04	2,99	2,96	2,93	2,93	
Isolation rate at 10 Hz	89,8%	90,2%	90,4%	90,6%	90,6%	

Values at recommended design height H : 115 mm -----

STATIC CHARACTERISTICS FOR USE AS ACTUATOR

Pressure [bar]	3	4	5	6	7	Vol. [l]	
Height H [mm]	60	6,7	8,9	11,1	13,3	15,6	0,8
	70	6,4	8,5	10,6	12,7	14,9	1,0
	80	6,0	8,0	9,9	11,9	13,9	1,1
	90	5,4	7,2	9,0	10,8	12,6	1,3
	100	4,8	6,4	7,9	9,5	11,1	1,4
	110	3,9	5,3	6,7	8,1	9,4	1,5
120	3,0	4,1	5,2	6,2	7,2	1,6	

Force values [kN]

All Volume [l] values at 7 bar

REFERENCES

M-30_B	Rubber bellow only
M-30_C_G1/4	With crimped plates & G1/4 air inlet
M-30_C_G3/4	With crimped plates & G3/4 air inlet
M-30_R_SH	With socket head bead rings
M-30_R_TR	With threaded bead rings
M-30_R_CS	With countersunk bead rings

Designs available with stainless steel and high temperature rubber compounds. Additional designs on request.