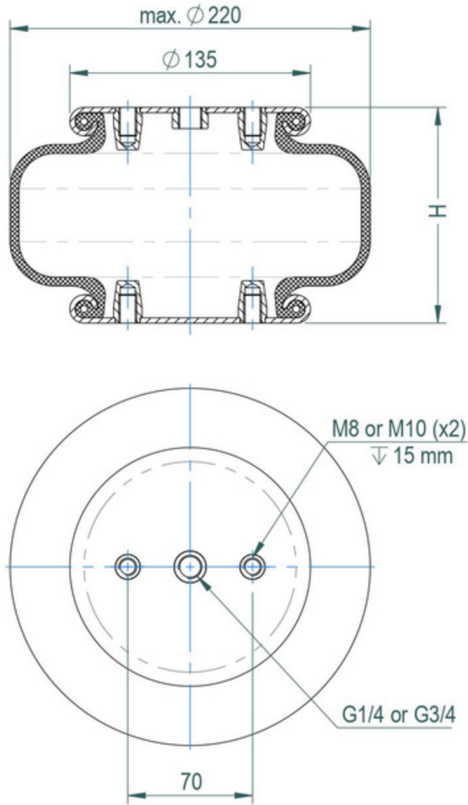


F SERIES
Crimped Design

TV-30-E

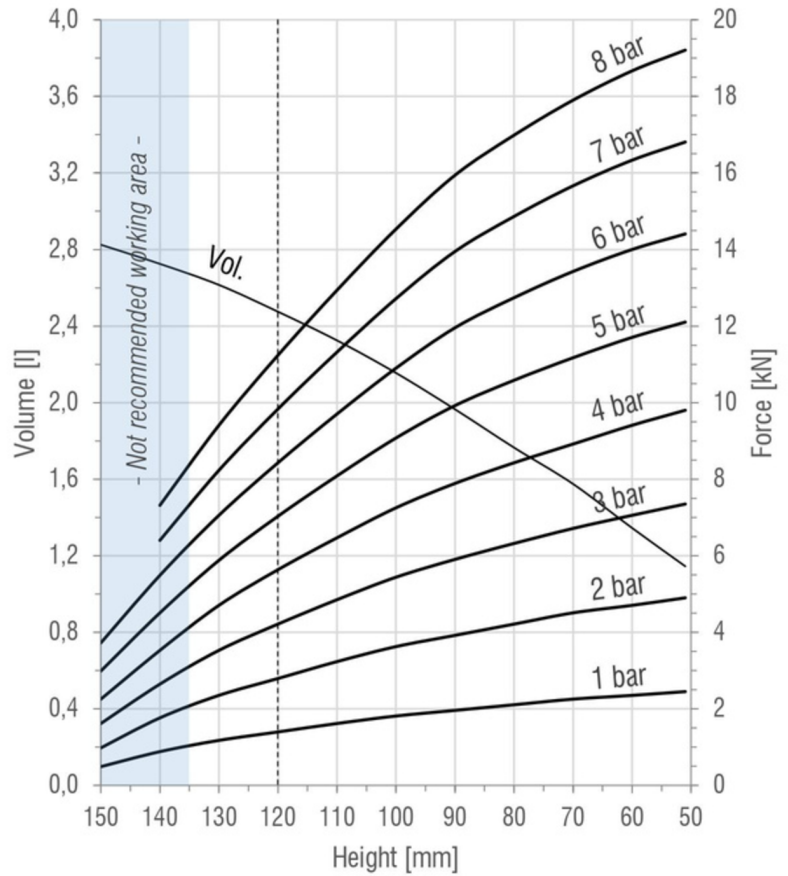
SINGLE
CONVOLUTION

DRAWING



M8&M10=25 Nm **G1/4**=25 Nm **G3/4**=50 Nm

FORCE-HEIGHT CHART



TECHNICAL DATA

PRODUCT CHARACTERISTICS

Static diameter [mm]	202
Max. diameter [mm]	220
Required space diameter [mm]	235
Min. height [mm]	51
Static height [mm]	115
Design height [mm]	120
Max. usable height [mm]	135
Max. stroke [mm]	84
Force to compress to H_{min} at 0 bar [N]	120
Weight [kg]	1,8

DYNAMIC CHARACTERISTICS FOR USE AS ISOLATOR

Pressure [bar]	3	4	5	6	7	Vol. [l]
Load [kN]	4,2	5,6	7,0	8,4	9,8	2,5
Spring rate [N/mm]	152	200	242	285	331	
Natural frequency [Hz]	3,01	2,98	2,94	2,91	2,90	
Isolation rate at 10 Hz	90,1%	90,3%	90,6%	90,8%	90,8%	

Values at recommended design height H: 120 mm -----

STATIC CHARACTERISTICS FOR USE AS ACTUATOR

Pressure [bar]	3	4	5	6	7	Vol. [l]	
Height H [mm]	60	7,1	9,4	11,7	14,0	16,3	1,3
	70	6,7	8,9	11,2	13,4	15,7	1,6
	80	6,3	8,4	10,6	12,7	14,9	1,8
	90	5,9	7,9	9,9	12,0	13,9	2,0
	100	5,4	7,3	9,1	10,9	12,7	2,2
	110	4,9	6,5	8,1	9,7	11,3	2,3
	120	4,2	5,6	7,0	8,4	9,8	2,5
	130	3,5	4,7	5,9	7,1	8,2	2,6
140	2,6	3,5	4,5	5,5	6,4	2,7	

Force values [kN]

All Volume [l] values at 7 bar

REFERENCES

M-30-E_B	Rubber bellow only
M-30-E_C_G1/4	With crimped plates & G1/4 air inlet
M-30-E_C_G3/4	With crimped plates & G3/4 air inlet
M-30-E_R_SH	With socket head bead rings
M-30-E_R_TR	With threaded bead rings
M-30-E_R_CS	With countersunk bead rings

Designs available with stainless steel and high temperature rubber compounds. Additional designs on request.