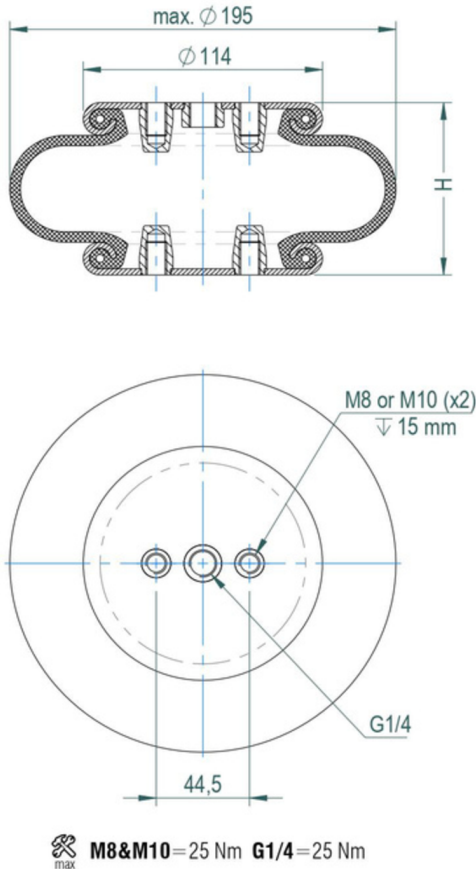


F SERIES
Crimped Design

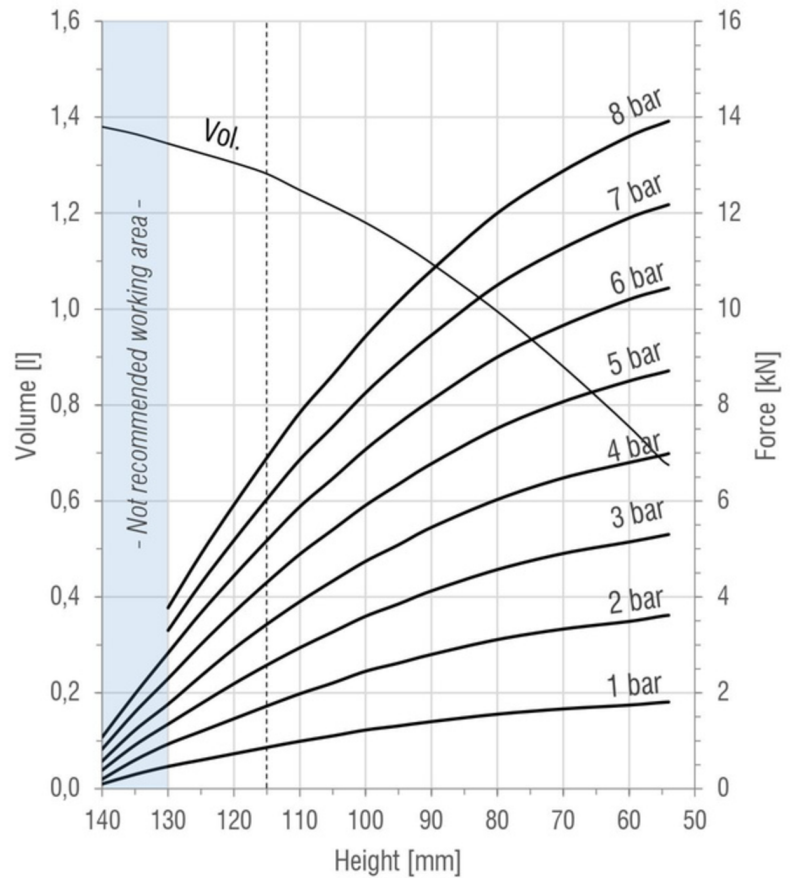
TV-25

SINGLE
CONVOLUTION

DRAWING



FORCE-HEIGHT CHART



TECHNICAL DATA

PRODUCT CHARACTERISTICS

Static diameter [mm]	184
Max. diameter [mm]	195
Required space diameter [mm]	210
Min. height [mm]	54
Static height [mm]	95
Design height [mm]	115
Max. usable height [mm]	130
Max. stroke [mm]	76
Force to compress to H_{min} at 0 bar [N]	50
Weight [kg]	1,4

REFERENCES

M-25_B	Rubber bellow only
M-25_C_G1/4	With crimped plates & G1/4 air inlet

Designs available with stainless steel and high temperature rubber compounds. Additional designs on request.

DYNAMIC CHARACTERISTICS FOR USE AS ISOLATOR

Pressure [bar]	3	4	5	6	7	Vol. [l]
Load [kN]	2,6	3,4	4,3	5,2	6,0	1,3
Spring rate [N/mm]	97	126	152	178	207	
Natural frequency [Hz]	3,06	3,04	2,98	2,94	2,93	
Isolation rate at 10 Hz	89,6%	89,9%	90,3%	90,6%	90,6%	

Values at recommended design height H: 115 mm -----

STATIC CHARACTERISTICS FOR USE AS ACTUATOR

Pressure [bar]	3	4	5	6	7	Vol. [l]	
Height H [mm]	60	5,1	6,8	8,5	10,2	11,9	0,8
	70	4,9	6,5	8,1	9,7	11,3	0,9
	80	4,6	6,0	7,5	9,0	10,5	1,0
	90	4,1	5,5	6,8	8,1	9,5	1,1
	100	3,6	4,7	5,9	7,1	8,3	1,2
	110	2,9	3,9	4,9	5,9	6,9	1,2
	120	2,2	2,9	3,7	4,4	5,2	1,3
130	1,3	1,8	2,3	2,8	3,3	1,3	

Force values [kN]

All Volume [l] values at 7 bar