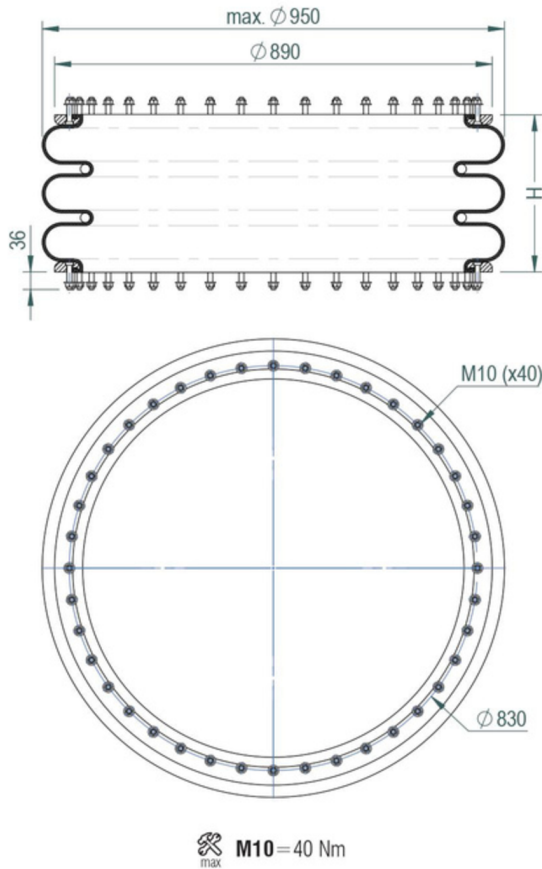


F SERIES
Socket Head Bead Ring Design

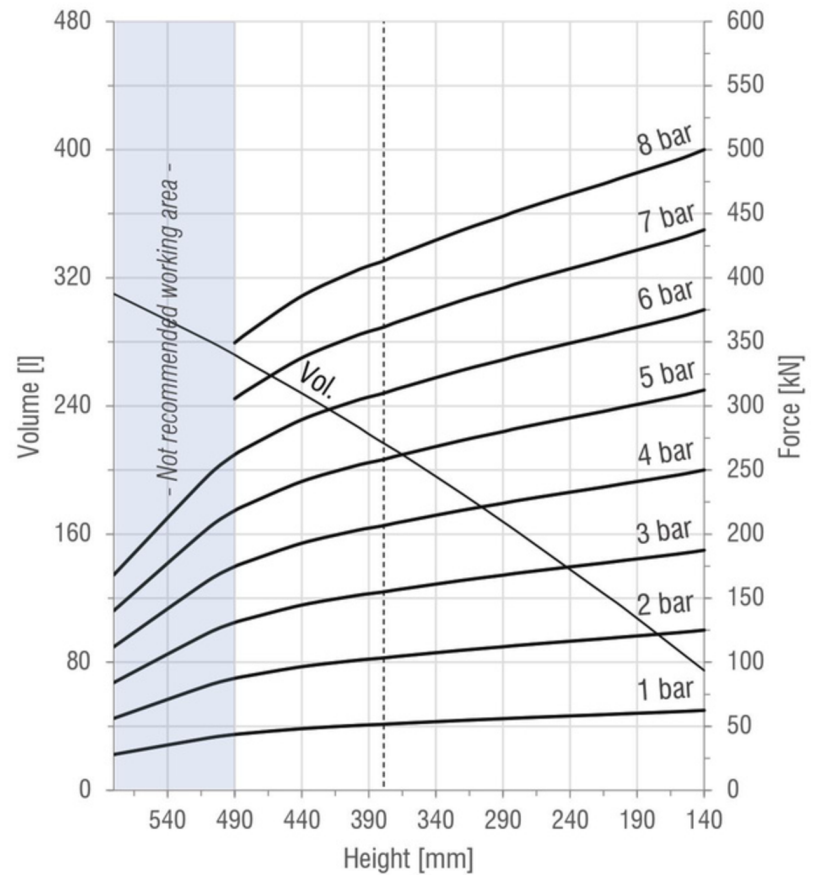
TV-140-3

TRIPLE
CONVOLUTION

DRAWING



FORCE-HEIGHT CHART



TECHNICAL DATA

PRODUCT CHARACTERISTICS

Static diameter [mm]	940
Max. diameter [mm]	950
Required space diameter [mm]	1.000
Min. height [mm]	140
Static height [mm]	320
Design height [mm]	380
Max. usable height [mm]	490
Max. stroke [mm]	350
Force to compress to H_{min} at 0 bar [N]	1.300
Weight [kg]	63,8

REFERENCES

M-140-3_B	Rubber bellow only
M-140-3_R_SH	With socket head bead rings
M-140-3_R_TR	With threaded bead rings

Designs available with stainless steel and high temperature rubber compounds. Additional designs on request.

DYNAMIC CHARACTERISTICS FOR USE AS ISOLATOR

Pressure [bar]	3	4	5	6	7	Vol. [l]
Load [kN]	154,8	206,4	258,0	309,6	361,2	217,3
Spring rate [N/mm]	821	1.038	1.255	1.473	1.690	
Natural frequency [Hz]	1,15	1,12	1,10	1,09	1,08	
Isolation rate at 10 Hz	98,7%	98,7%	98,8%	98,8%	98,8%	

Values at recommended design height H: 380 mm -----

STATIC CHARACTERISTICS FOR USE AS ACTUATOR

Pressure [bar]	3	4	5	6	7	Vol. [l]	
Height H [mm]	160	184,5	246,0	307,5	369,0	430,5	88,0
	200	179,5	239,3	299,2	359,0	418,8	114,0
	240	174,5	232,7	290,8	349,0	407,2	138,0
	280	169,5	226,0	282,5	339,0	395,5	162,0
	320	164,0	218,7	273,3	328,0	382,7	185,0
	360	158,0	210,7	263,3	316,0	368,7	207,0
	400	152,0	202,7	253,3	304,0	354,7	228,0
	440	144,7	192,9	241,1	289,3	337,5	248,0
	480	134,0	178,7	223,3	268,0	312,7	267,0

Force values [kN]

All Volume [l] values at 7 bar

⚠ Special guides are required when used as isolators due to lateral instability.